



# Electric motor cable reel MISTRAL

Reg. 23-0151-3

CODE:

TRC-20030-A2P

CODE:

TRC-20030-A2P

## TECHNICAL DATASHEET

<input type="checkbox"/>	Mono-spiral	<input type="checkbox"/>	29	Operating stroke (m)	<input type="checkbox"/>	Unwinding direction from slip ring side	<input type="checkbox"/>	CW
<input checked="" type="checkbox"/>	Multi-spiral	<input type="checkbox"/>	20	Speed (m/min)	<input checked="" type="checkbox"/>		<input checked="" type="checkbox"/>	CCW
<input type="checkbox"/>		<input type="checkbox"/>	4	Acceleration time (s)	<input type="checkbox"/>	Operating conditions	<input checked="" type="checkbox"/>	Outdoor
<input checked="" type="checkbox"/>	Horizontal moving	<input type="checkbox"/>	1	Always winded wounds (N.)	<input type="checkbox"/>	Operating temperature	<input checked="" type="checkbox"/>	-10°C +40°C
<input type="checkbox"/>	Cable suspended in free air	<input type="checkbox"/>	1	Additional cable (m)	<input type="checkbox"/>	Protection grade	<input checked="" type="checkbox"/>	IP 55
<input type="checkbox"/>	0,86	Height from cable supports/ground (m)	32	Total cable lenght on the reel (m)	<input type="checkbox"/>	ATEX protection	<input type="checkbox"/>	NO
<input type="checkbox"/>		Fixed point feeding cable (m)	<input checked="" type="checkbox"/>	Limit switch 4 contacts	<input type="checkbox"/>	Anti-condensation heater	<input type="checkbox"/>	
<input type="checkbox"/>		With mono-polar cables in spiral sheath						
<input type="checkbox"/>		With multi-polar cable						

### ELECTRIC MOTOR

<input checked="" type="checkbox"/>	Asynchronous Motor
Voltage	Vac 400
Frequency	50 HZ
Insulation class	F
Temperature class	
Mechanical protection	
Anti-condensation heater	
Tropicalized + paint. with epoxy primer	
Special painting for marine surroundings	

CURRENT CONSUMPTION		
Motor		
(V)	230	400
(A)		0,92

Gear box	
Non-painted Aluminium	
Special paint. for marine	NO

### CABLE

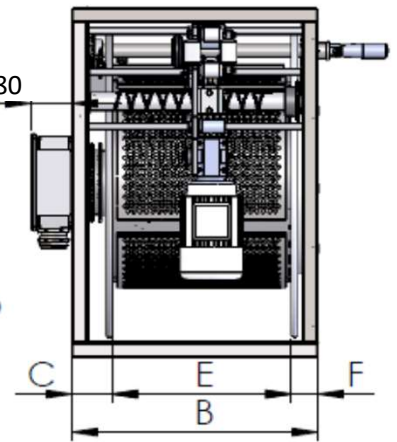
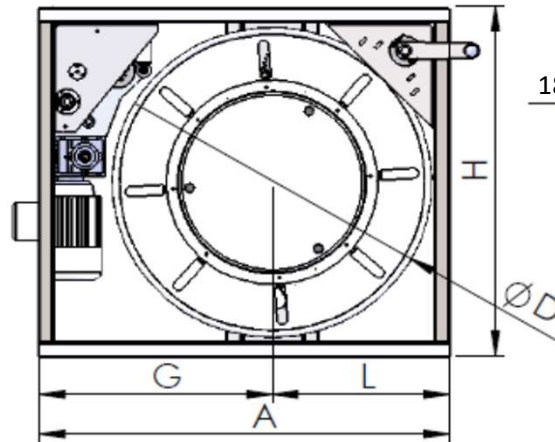
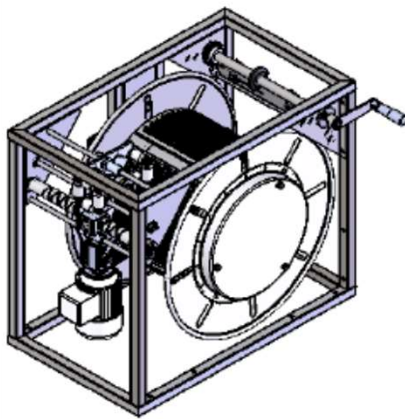
ATTENTION For a correct use always unwinding all the cable length.	CABLE TYPE:  Ursus PUR HF	3X70+1G35+2X1,5	Cable composition
		0,6/1	Insulation class (kV)
		40	Diameter (mm)
		3,29	Weight (Kg/m)
		-	Power capacity (kW)

### MATERIALS AND TREATMENTS

Steel plate shoulders	Fe painted	Special treatments:  NO
Chassis (tubular)	Aisi304	
Screws	Aisi304	
Shaft	Fe cold galvanized	
Other components	Al anodized	

### DIMENSIONS

TYPE	A	B	C	øD	E	F	G	H	L	M	N	P	Q	G
Avv.cavo-trainacavo a motore e recupero del cavo a molla-versione	A	900	480	70	720	350	60	540	780	360	0	0	0	0



Weight w/o cable 0 kg

### ELECTRICAL SECTION: RING, BRUSHES AND CABLES

N° Ring	Ring Material	Cable [mmq]	Color (A)	Current (A)	Brush Material	Utilisation	N° Ring	Ring Material	Cable [mmq]	Color (A)	Current (A)	Brush Material	Utilisation
1	Bz	1x 35 mm <sup>2</sup>	G/Y	200	Metal-grafite	ground	0	19					
2	Bz	1x 70 mm <sup>2</sup>	Black	200	Metal-grafite	power	0	20					
3	Bz	1x 70 mm <sup>2</sup>	Black	200	Metal-grafite	power	0	21					
4	Bz	1x 70 mm <sup>2</sup>	Black	200	Metal-grafite	power	0	22					
5	Bz+Au	1x 1,5 mm <sup>2</sup>		5	Au	pilot		23					
6	Bz+Au	1x 1,5 mm <sup>2</sup>		5	Au	pilot		24					
7								25					
8								26					
9								27					
10								28					
11								29					
12								30					
13								31					
14								32					
15								33					
16								34					
17								35					
18								36					

NOTE: the unwinding direction can be reversed