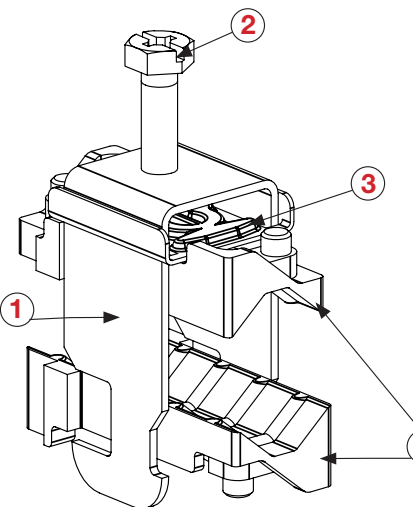
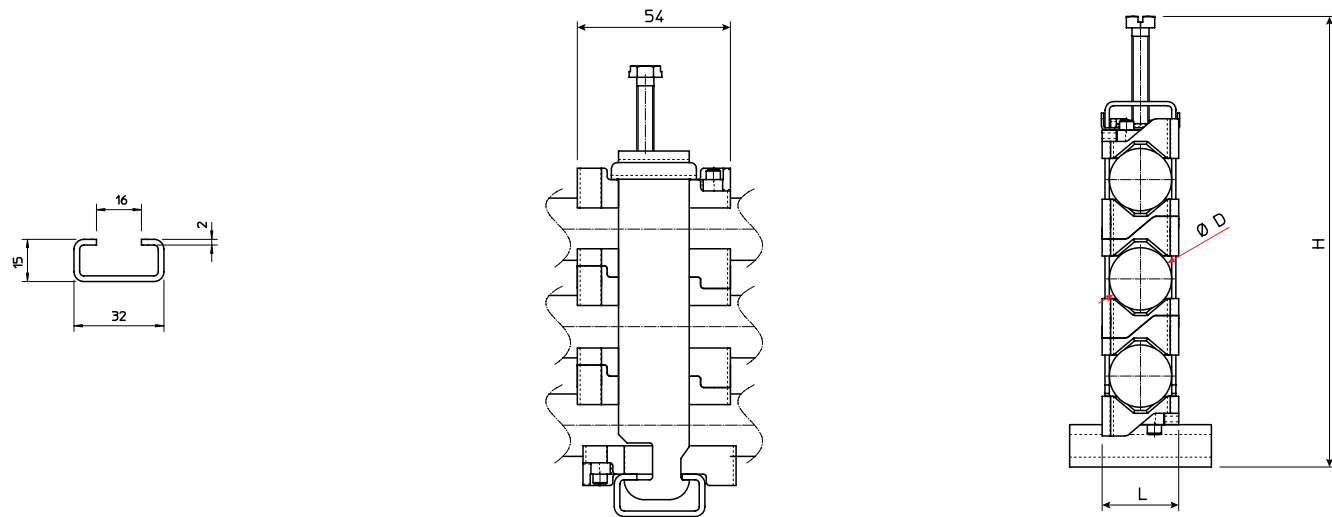
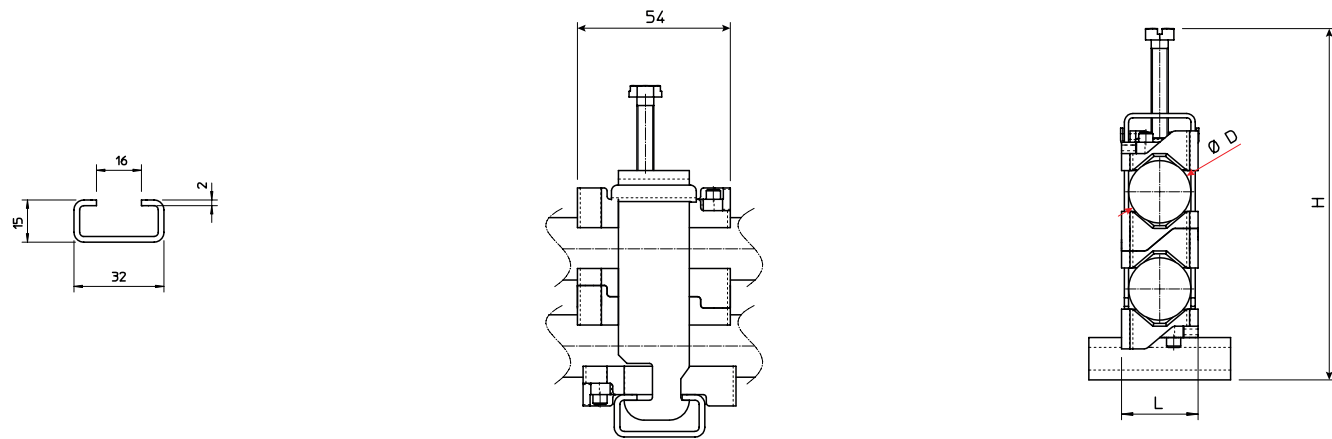
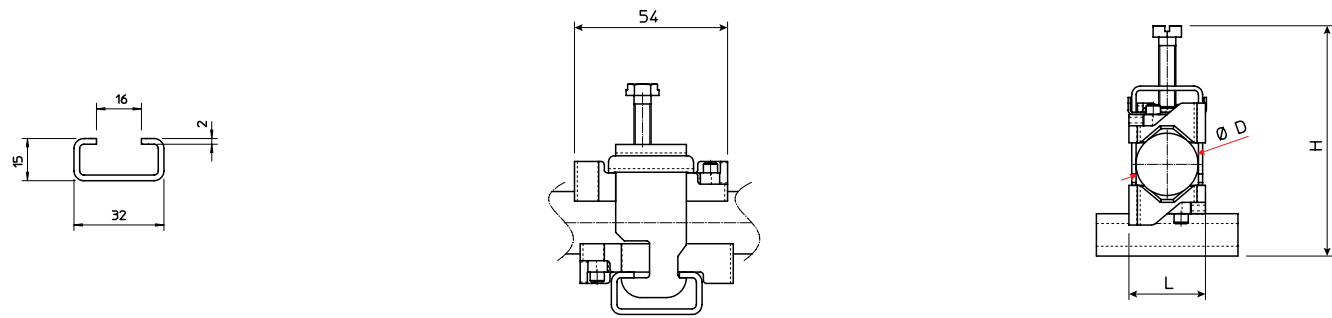


CABLE CLAMP

STAINLESS STEEL



SPECIFICATIONS

- 1) Stainless steel clamp
- 2) Self-locking AISI 304 pressure screw, hexagon headed, driver cut+cross. Fixing Torque 1-2Nm.
- 3) Stainless steel sliding pressure plate.
- 4) SEP black P.A. fiberglass saddles.
- 5) Steel mounting rail.

RESISTANCE TESTS

- 1) UV Test BS-ISO 105-B06
- 2) Vibration test conforming to UNI 60068-2-6
- 3) **Operating temperature:** -30°C + 120°C

MOUNTING INSTR.

On request

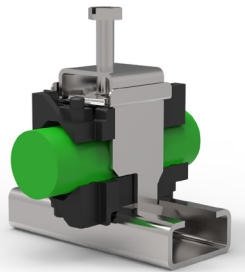
PACKAGING INFO

- 1) Packing in boxes.
- 2) Label indicating: produce code, article, quantity, production batch, and figure. (Customer code on request).
- 3) **Operating temperature:** -30°C + 120°C

SINGLE CLAMP HOUSING

CODE	DIAMETER Ø	LENGTH (L)	MAX HEIGHT (H)
7000612XC	06-12	18	65
7001222XC	12-22	28	81
7002234XC	22-34	42	93
7003446XC	34-46	58	115
7004658XC	46-58	70	130
7005870XC	58-70	82	143
7007080XC	70-80	92	158

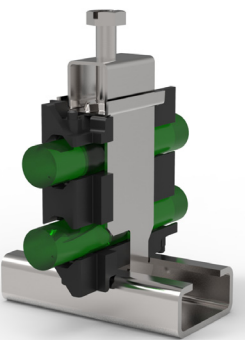
Maximum height measured with cables as large as possible
Including bottom saddle



DOUBLECLAMP HOUSING

CODE	DIAMETER Ø	LENGTH (L)	MAX HEIGHT (H)
7020612XC	06-12	18	103
7021222XC	12-22	28	125
7022228XC	22-28	42	135
7022834XC	28-34	42	148

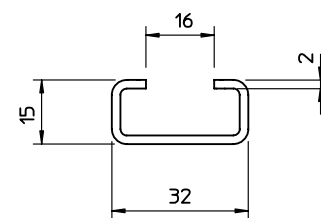
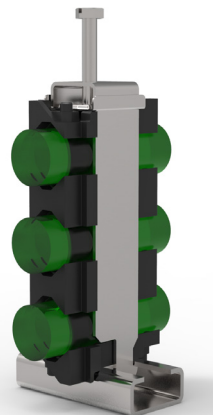
Maximum height measured with cables as large as possible
Including bottom saddle



TRIPLE CLAMP HOUSING

CODE	DIAMETER Ø	LENGTH (L)	MAX HEIGHT (H)
7030612XC	06-12	18	128
7031216XC	12-16	28	137
7031622XC	12-22	28	160
7032228XC	22-28	42	173
7032834XC	28-34	42	195

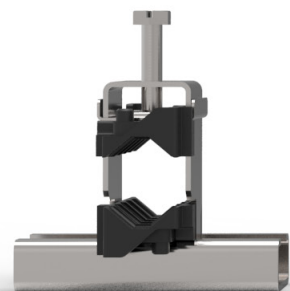
Maximum height measured with cables as large as possible
Including bottom saddle



BOTTOM SADDLE

CODE	LENGTH (L)
600002X	1 m (*)
600002XSL□□□	Custom

(*)1 meter is a standard size.





Brevetti Stendalto S.p.A.

20900 Monza

V.le Giovanni Battista Stucchi 66/8

Tel. +39 039 20.49.01

Fax: +39 039 83.42.50

E-mail: info@brevettistendalto.it

WWW.BREVETTISTENDALTO.COM

